

Features

- Wide Tuning Range
- Low Phase Noise
- SMD

Applications

- Communications
- Radio
- PLL
- Electronic Applications

XVCO55BE-0400-0800

| Parameter | Value | | | Unit | Condition |
|---------------------------|-------|------|------|-----------|------------------|
| | Min. | Typ. | Max. | | |
| Lower Frequency | – | – | 400 | MHz | Vt=0V@ At +25°C |
| Upper Frequency | 800 | – | – | MHz | Vt=12V@ At +25°C |
| Tuning Voltage | 0 | – | 12 | VDC | |
| Supply Voltage | 4.75 | 5 | 5.25 | VDC | |
| Output Power | 0 | 3 | 6 | dBm | |
| Supply Current | – | 18 | 25 | mA | |
| 2nd Harmonic | – | -10 | -5 | dBc | |
| Pushing | – | – | 5 | MHz/V | |
| Pulling, all Phases | – | – | 3 | MHz pk-pk | |
| Tuning Sensitivity | – | 47 | – | MHz/V | |
| Phase Noise@10kHz Offset | – | -104 | -102 | dBc/Hz | Vt=5V@At +25°C |
| Phase Noise@100kHz Offset | – | -125 | -122 | | |
| Load Impedance | – | 50 | – | Ω | |
| Input Capacitance | – | – | 200 | pF | |
| Freq. Vs temperature | – | ±5 | ±10 | MHz | -40°C ~ +85°C |

Environmental Conditions

| | |
|-----------------------------|---------------|
| Operating Temperature Range | -40°C ~ +85°C |
| Storage Temperature Range | -45°C ~ +90°C |

Note: Please contact SALES to know more details about any special requirement of parameters,

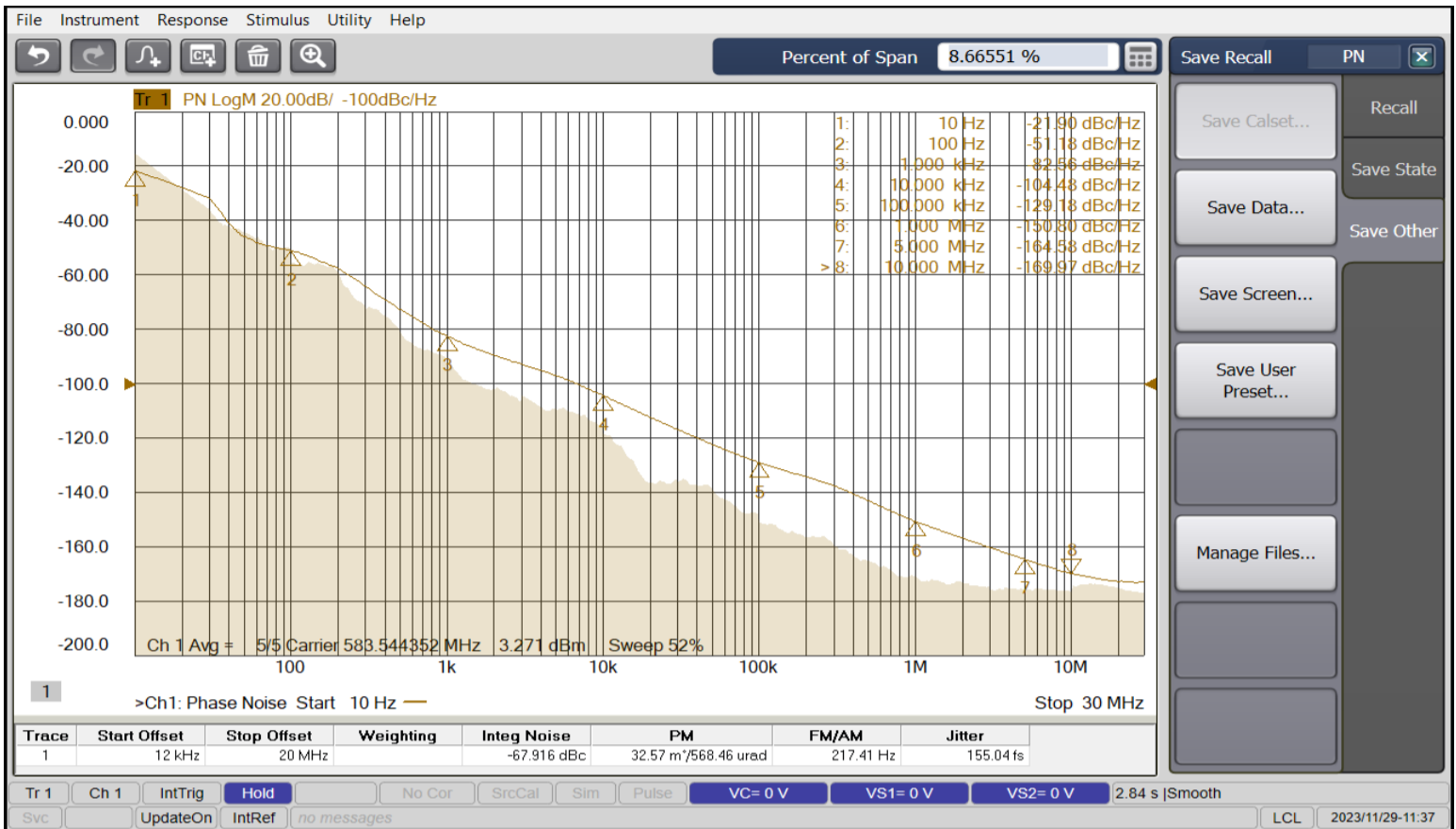
Maximum Ratings

| Parameter | Symbol | Rating |
|-----------------|--------|----------------|
| Supply Voltage | Vdd | -0.5V / 6V |
| Control Voltage | Vcon | 0V / 12.6V |
| ESD, HBM/CDM/MM | | 4KV/ 2KV/ 200V |

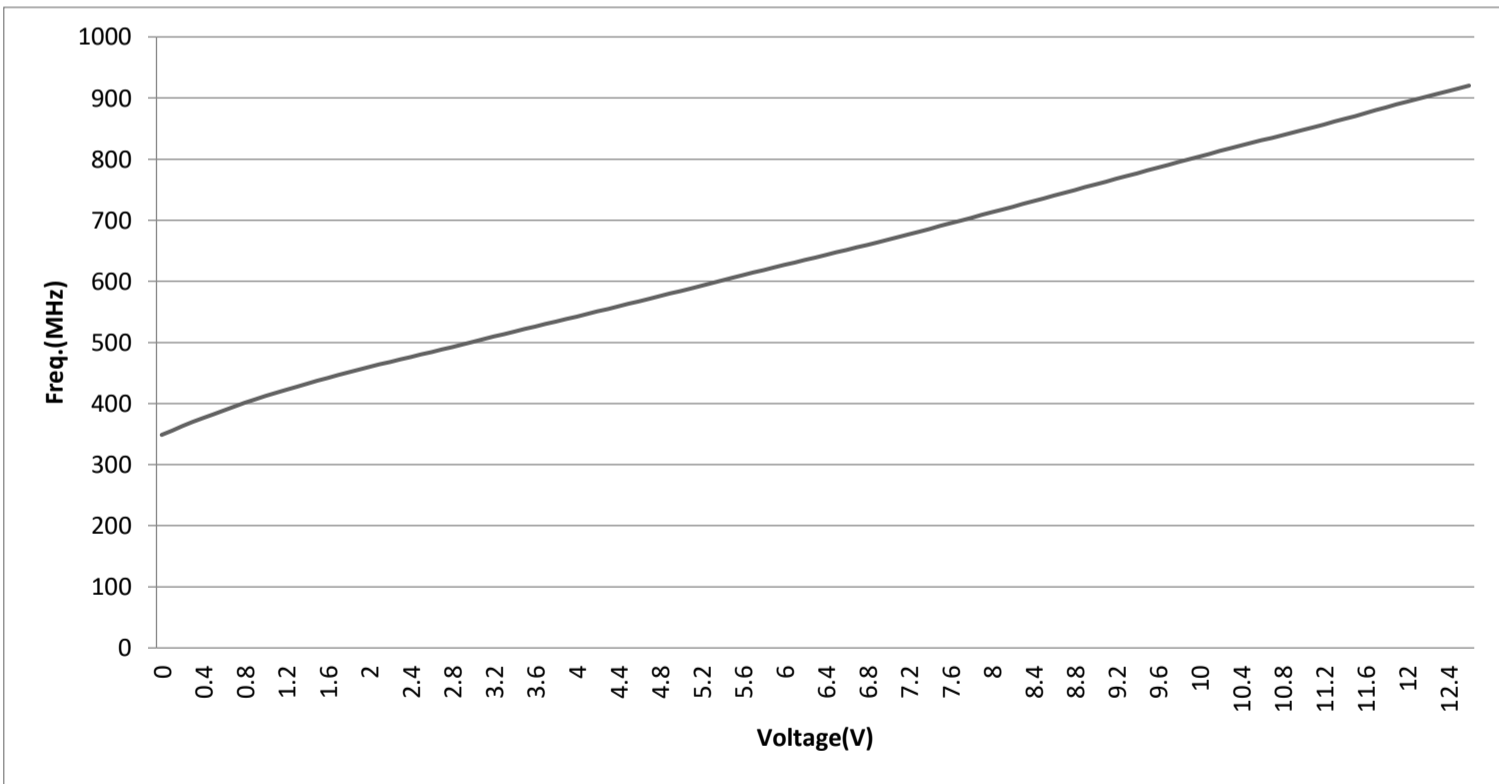
Reliability

| Parameter | Condition |
|-------------------------|---|
| Temperature Stress Test | IEC60068, GJB360B |
| Mechanical Stress Test | IEC60068, GJB360B |
| EMC Test (ESD) | IEC61000, JESD22 |
| Solderability | EIA/JESD22-B102-C |
| RoHS | RHOS Directive 2011/65/EU Annex II Recasting 2002/95/EC |

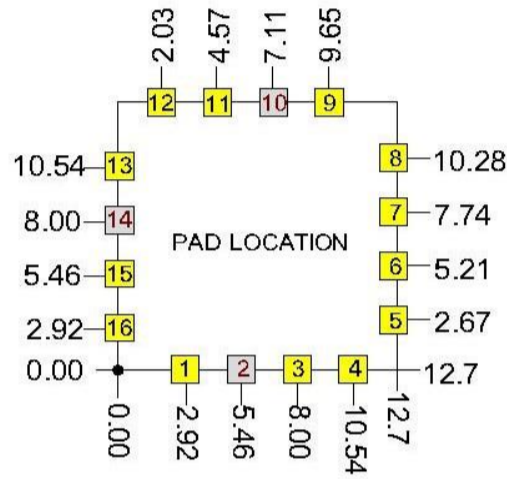
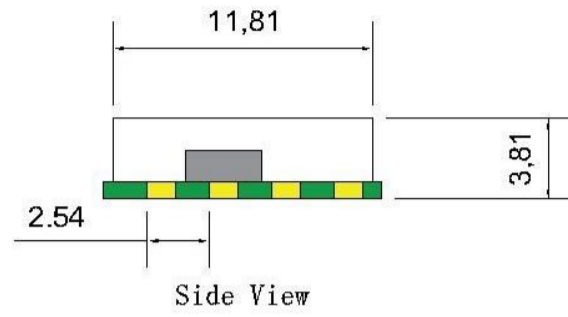
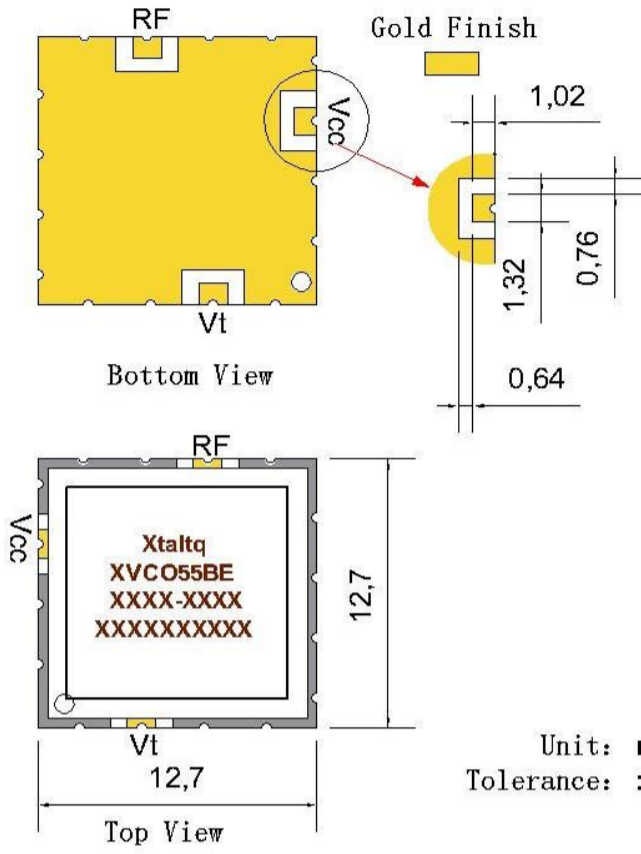
Phase Noise Curve



Tuning Curve



Outline Dimension & Pin Connections



| Pin Connections | |
|-----------------|-----|
| Pin2 | Vt |
| Pin10 | RF |
| Pin14 | Vcc |
| OTHERS | GND |