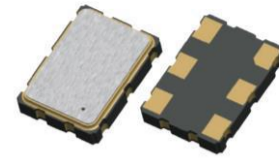


Features

- Typical 3.2 x 2.5 x 0.95 mm ceramic SMD package.
- low Power Supply Voltage: 3.3V, 2.5V, 1.8V
- Frequency 32.768kHz
- Singled-end Output:CMOS
- Temperature Range: -40°C to 125°C Operation
- Pb-free/RoHS compliant

Application

- RTC Module
- Smartphone
- IoT
- Wearable Device – Watch, Medical



BS3225A Series

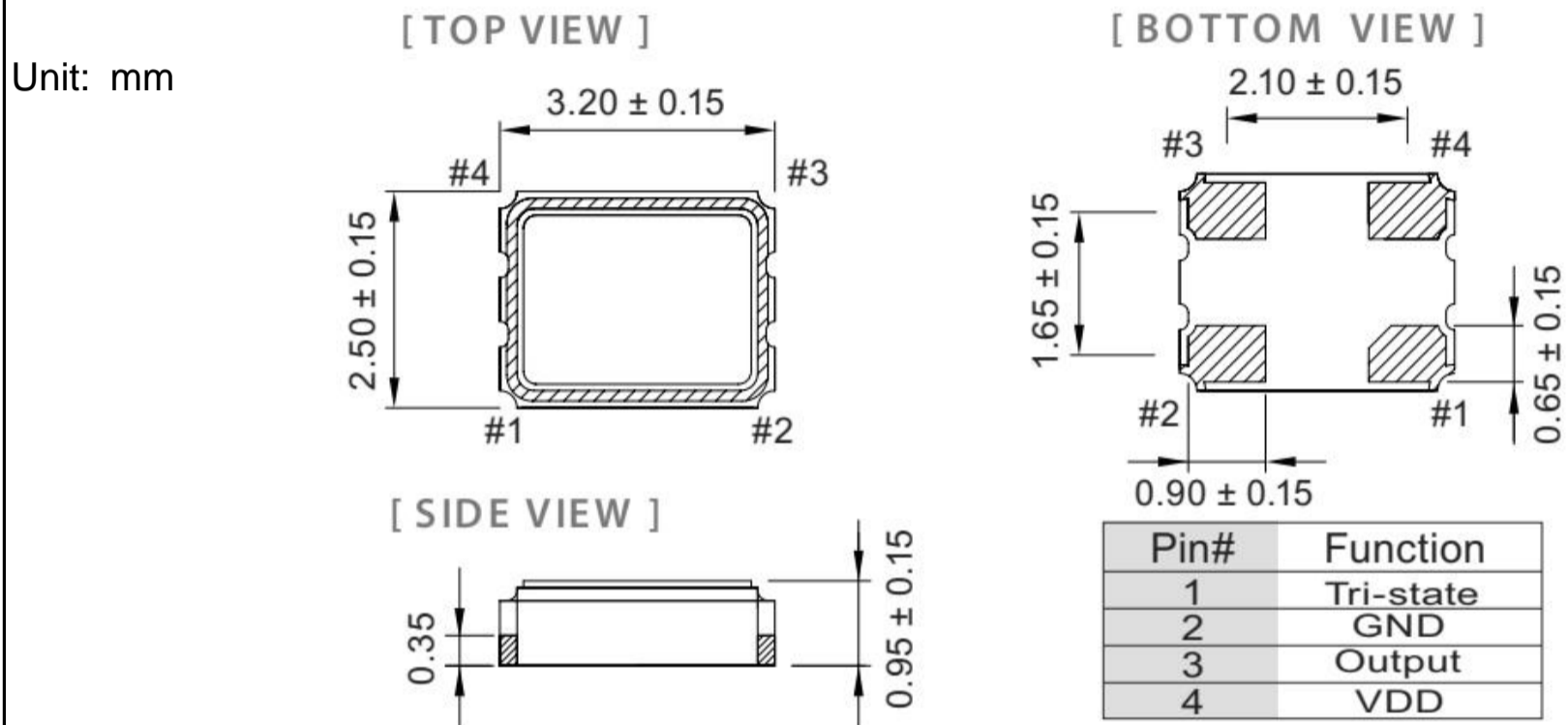
Parameter	3.3v		2.5V		1.8V		Unit	Condtions	
	Min.	Max.	Min.	Max.	Min.	Max.			
Supply Voltage Variation	VDD-10%	VDD+10%	VDD-5%	VDD+5%	VDD-5%	VDD+5%	V		
Frenquency	32.768						kHz		
Transition Time (10%-90%)	Rise Time / Fall Time	-	15.0	-	15.0	-	15.0	nSec	
Supply Current (No Load)	-	35	-	35	-	35	uA	@No Load	
Duty Cycle	45	55	45	55	45	55	%		
Output Level	Output High	2.97	-	2.25	-	1.62	-	V	
	Output Low	-	0.33	-	0.25	-	0.18	V	
Tri-State Mode (Input to Pin 1)	Enable	0.7 x VDD	-	0.7 x VDD	-	0.7 x VDD	-	V	
	Disable	-	0.3 x VDD	-	0.3 x VDD	-	0.3 x VDD	V	
Stand by Current	-	3	-	3	-	3	uA		
Output Loading (CMOS)	-	15	-	15	-	15	pF		
Startup Time	-	20	-	20	-	20	mSec		
Aging	-	±3	-	±3	-	±3	ppm	@ 25°C, First Year	
Storage Temp. Range	-55	125	-55	125	-55	125	°C		
FREQ. STABILITY vs. TEMP. RANGE		±20ppm		±25ppm		±30ppm		±50ppm	
	-10~+60°C	Available		Available		Available		Available	
	-20~+70°C	Conditional		Available		Available		Available	
	-40~+85°C	Not Available		Conditional		Available		Available	
	-40~+105°C	Not Available		Not Available		Conditional		Available	
	-40~+125°C	Not Available		Not Available		Not Available		Available	

Note: not all combination of options are available. Other specifications may be available upon request.

Reliability

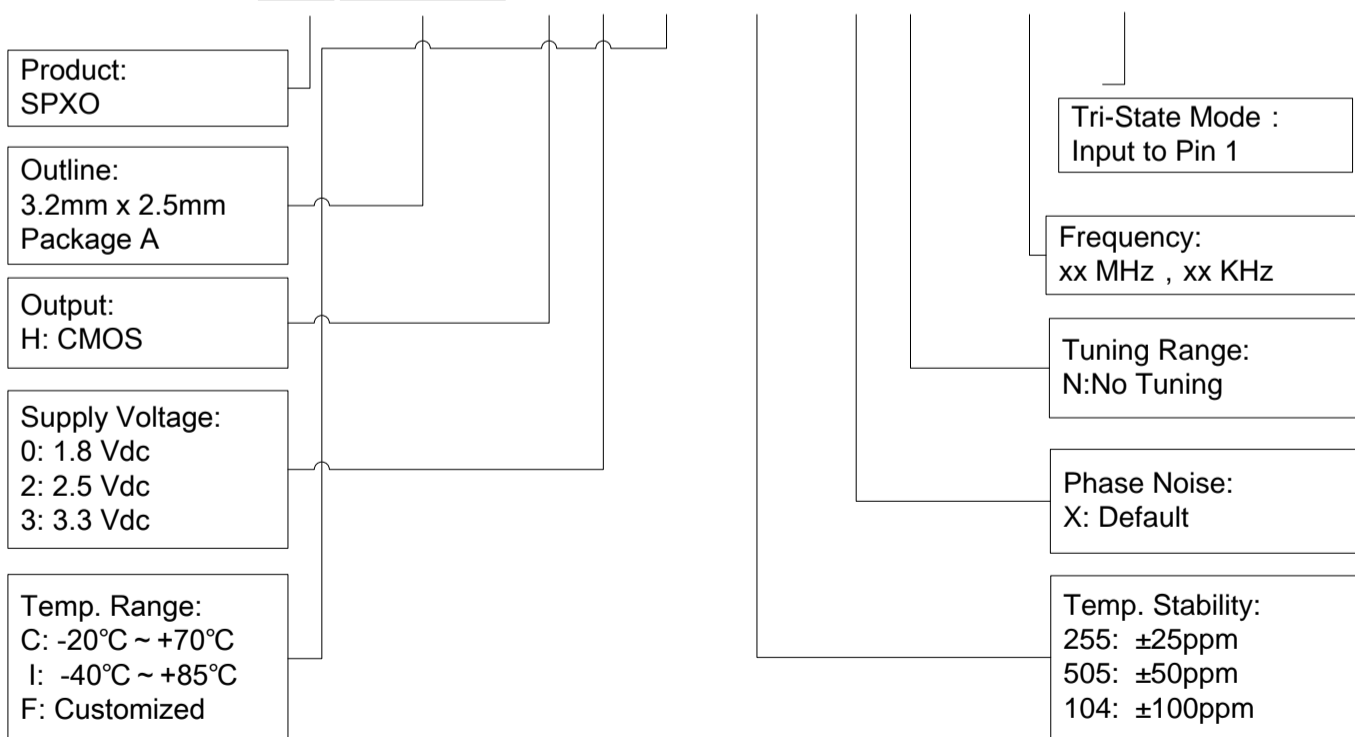
Parameter	Condition
Temperature Stress Test	IEC60068, GJB360B
Mechanical Stress Test	IEC60068, GJB360B
EMC Test (ESD)	IEC61000, JESD22
Solderability	EIA/JESD22-B102-C
Contact Pads	Gold over Nickel
RoHS	RoHS Directive 2011/65/EU Annex II Recasting 2002/95/EC

Outline Dimension & Pin Connections



Ordering Guide

BS 3225A X X X XXX X XXX.XX X



Example: BS3225AD3I505CN20

Disclaimer

Xtaltq Technologies Co., Limited reserves the right to make changes to the product(s) and/or information contained herein without notice. No liability is assumed as a result of their use or application. No rights under any patent accompany the sale of any such product(s) or information.