

Features

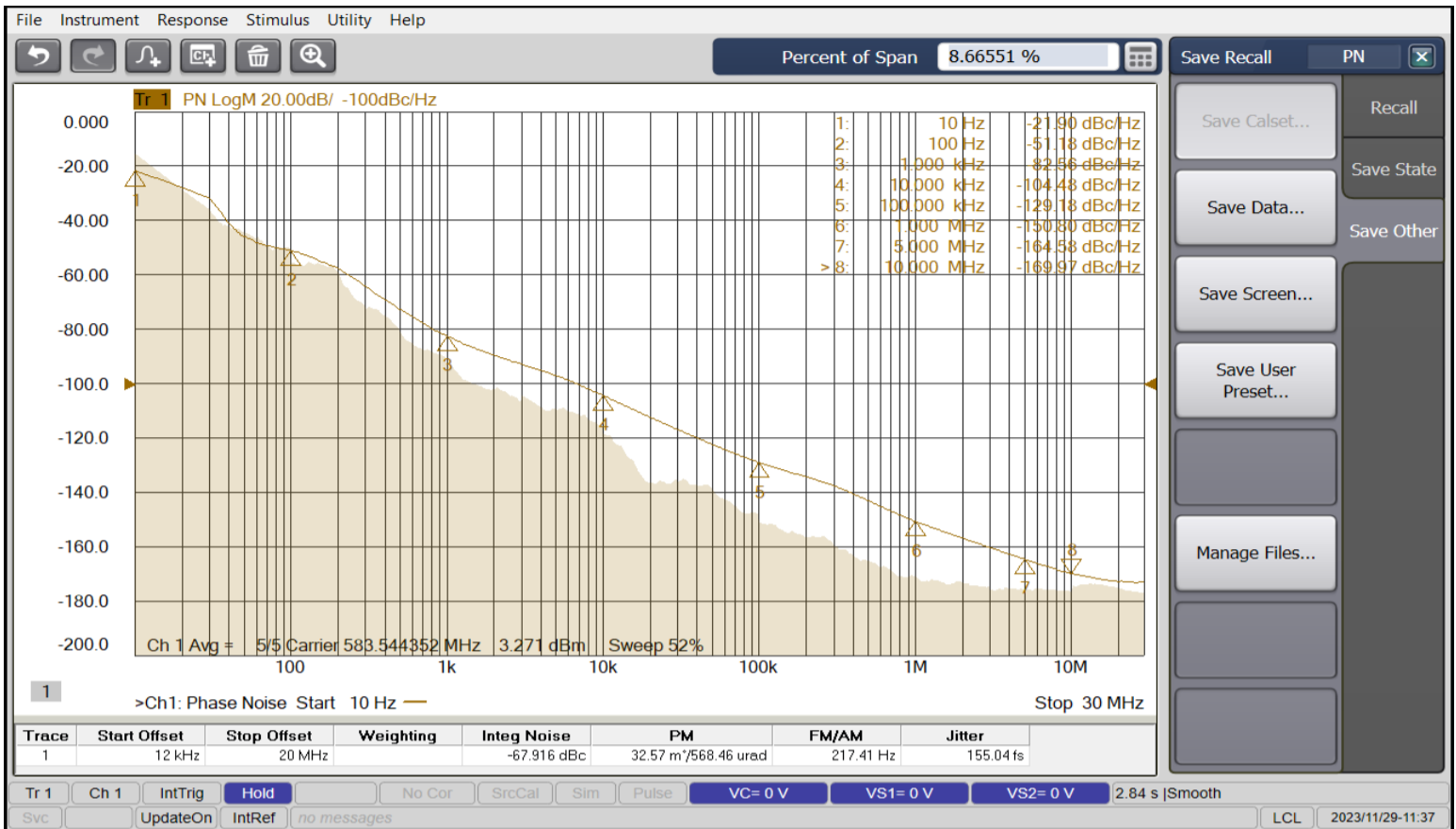
- Wide Tuning Range
- Low Phase Noise
- SMD

Applications

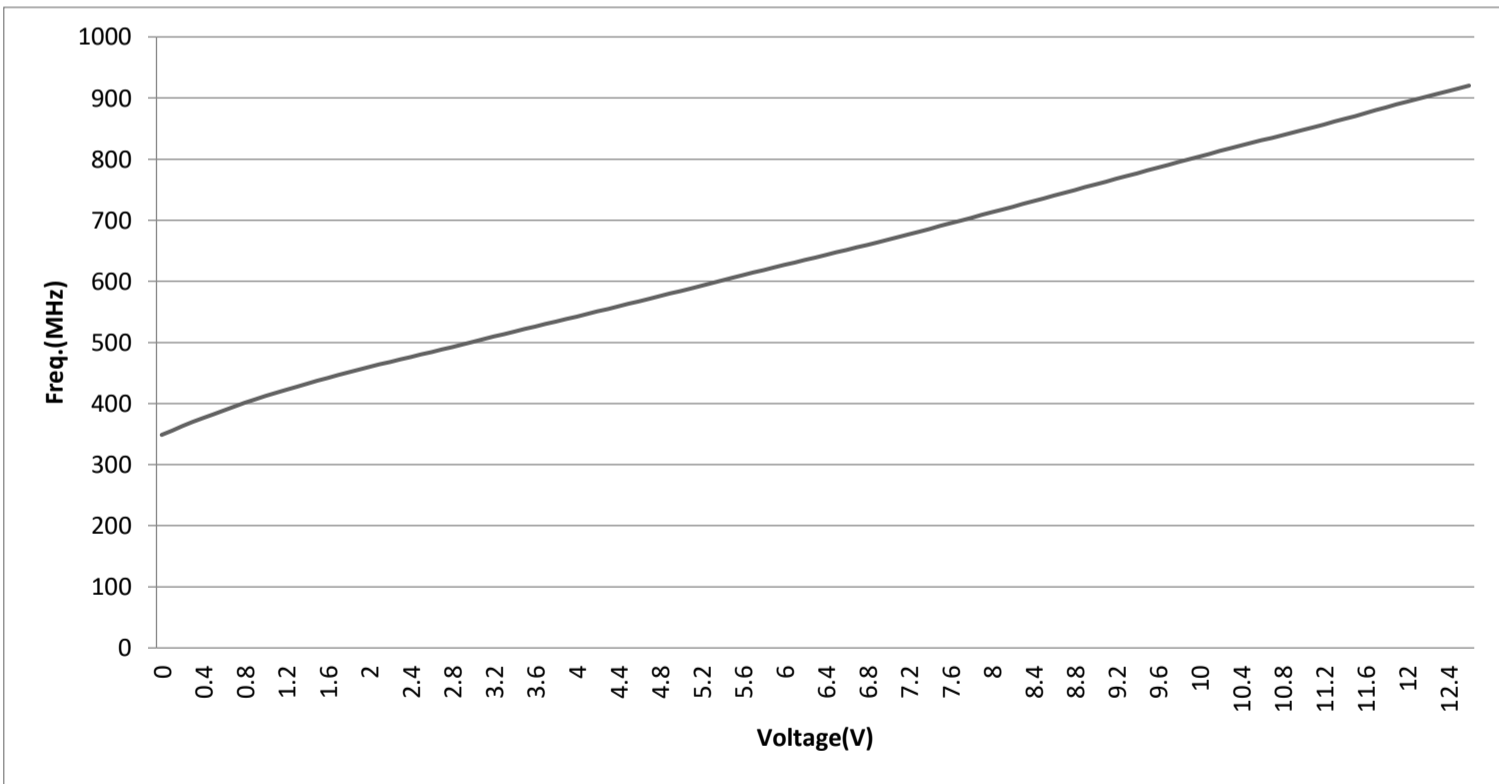
- Communications
- Radio
- PLL
- Electronic Applications

XVCO55BE-0400-0800					
Parameter	Value			Unit	Condition
	Min.	Typ.	Max.		
Lower Frequency	–	–	400	MHz	Vt=0V@ At +25°C
Upper Frequency	800	–	–	MHz	Vt=12V@ At +25°C
Tuning Voltage	0	–	12	VDC	
Supply Voltage	4.75	5	5.25	VDC	
Output Power	0	3	6	dBm	
Supply Current	–	18	25	mA	
2nd Harmonic	–	-10	-5	dBc	
Pushing	–	–	5	MHz/V	
Pulling, all Phases	–	–	3	MHz pk-pk	
Tuning Sensitivity	–	47	–	MHz/V	
Phase Noise@10kHz Offset	–	-104	-102	dBc/Hz	Vt=5V@At +25°C
Phase Noise@100kHz Offset	–	-125	-122		
Load Impedance	–	50	–	Ω	
Input Capacitance	–	–	200	pF	
Freq. Vs temperature	–	±5	±10	MHz	-40°C ~ +85°C
Environmental Conditions					
Operating Temperature Range	-40°C ~ +85°C				
Storage Temperature Range	-45°C ~ +90°C				
Note: Please contact SALES to know more details about any special requirement of parameters,					
Maximum Ratings					
Parameter	Symbol	Rating			
Supply Voltage	Vdd	-0.5V / 6V			
Control Voltage	Vcon	0V / 12.6V			
ESD, HBM/CDM/MM		4KV/ 2KV/ 200V			
Reliability					
Parameter	Condition				
Temperature Stress Test	IEC60068, GJB360B				
Mechanical Stress Test	IEC60068, GJB360B				
EMC Test (ESD)	IEC61000, JESD22				
Solderability	EIA/JESD22-B102-C				
RoHS	RHOS Directive 2011/65/EU Annex II Recasting 2002/95/EC				

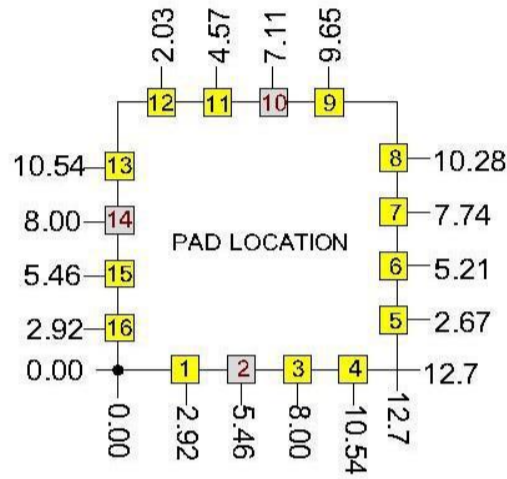
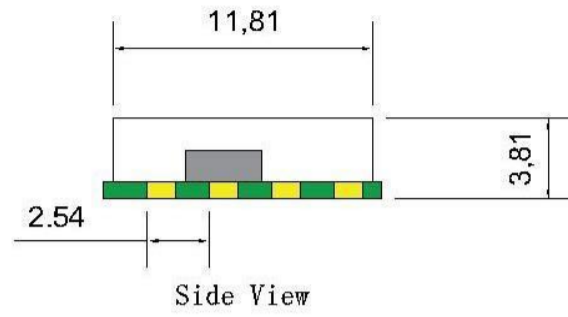
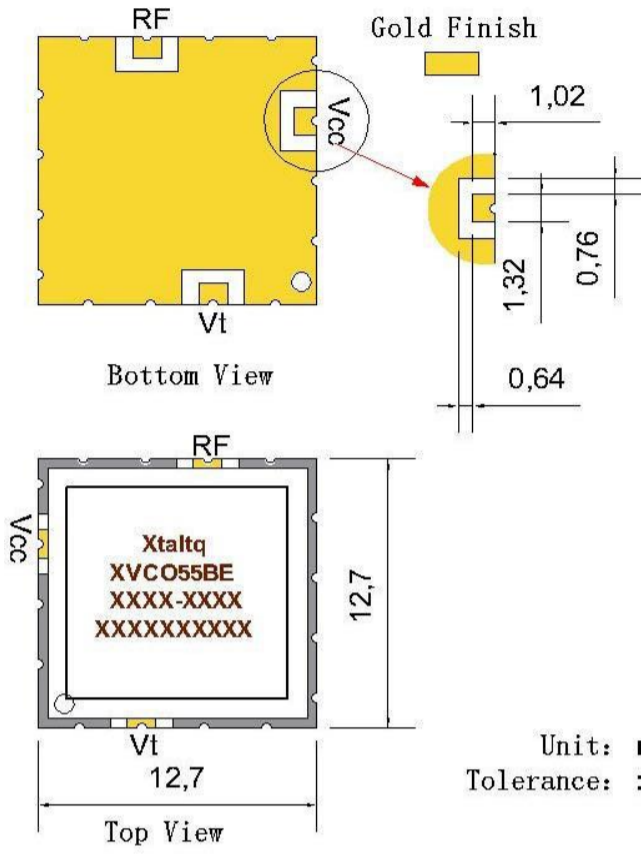
Phase Noise Curve



Tuning Curve



Outline Dimension & Pin Connections



Pin Connections	
Pin2	Vt
Pin10	RF
Pin14	Vcc
OTHERS	GND